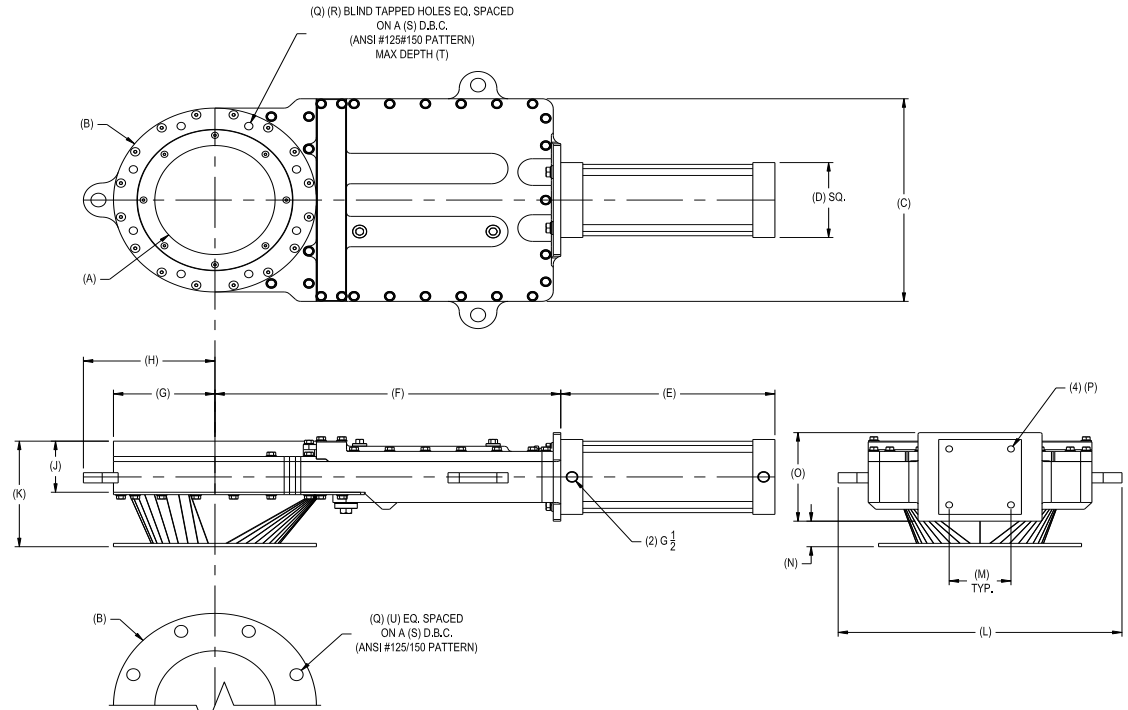


Standard Assembly Unit Installation Data:

- Designed for dry material in dense & dilute phase conveying applications.
- **Actuation:** Double acting air cylinder. The air cylinder requires a minimum of 80 psig (5.4 bar), filtered, compressed air for most reliable service. Air lubrication is not required but is recommended for extended wear life. Magnetic piston included. Extending the air cylinder closes the gate.
- **Air control:** A 2 position, 4 way lever or solenoid operated compressed air control with a minimum flow of 2.6 cv (2.2 kv) is required to operate the air cylinder.
- **Air Usage:** Calculated at 80 psig (5.4 bar) for 1 open or 1 closed stroke of the air cylinder.
- **Temperature:** Base model rated at 250° f (121° c) continuous service, 300° f (149° c) intermittent (10 minutes maximum). HT4 models are rated at 400° f (204° c) continuous service, 450° f (232° c) intermittent (10 minutes maximum).
- **Avoid supporting conveying lines and equipment exceeding 200 lbs (90kg) with the gate valve.**



Imperial / Metric Model	A		B		C		D		E		F		G		H		J		K		L		M		N		O	
	in	mm	in	mm	in	mm	in	mm	in	mm	in	mm	in	mm	in	mm	in	mm	in	mm	in	mm	in	mm	in	mm	in	mm
HDP04V2	4	102	9	229	10 3/8	264	5 1/8	130	10	254	16 3/4	425	4 1/2	114	6 1/2	165	3 3/4	95	7 3/4	197	14 3/8	365	4	102	2 1/8	54	6 1/8	156
HDP06V2	6	152	11	279	12 3/8	314	5 1/2	140	12 1/4	311	19 5/8	498	5 1/2	140	7 1/2	191	3 3/4	95	7 3/4	197	16 3/8	416	4 1/8	105	2 1/8	54	6 1/8	156
HDP08V2	8	203	14	343	14 7/8	378	5 1/2	140	14 1/4	362	23	584	6 3/4	171	8 3/4	222	3 3/4	95	7 3/4	197	18 7/8	479	4 1/8	105	1 7/8	48	6 1/2	165
HDP10V2	10	254	16	406	17 3/8	441	6 1/2	165	17 1/4	438	26 7/8	683	8	203	10	254	3 3/4	95	7 3/4	197	21 3/8	543	4 7/8	124	7/8	22	8 1/2	216
HDP12V2	12	305	19	483	20 3/8	518	6 1/2	165	19 1/4	489	30	762	9 1/2	241	11 1/2	292	3 3/4	95	8 1/4	210	24 3/8	619	4 7/8	124	1 3/8	35	8 1/2	216
HDP14V2	14	356	21	533	22 3/8	568	8 1/2	216	21 1/4	540	34 3/8	873	10 1/2	267	12 1/2	318	4 5/8	117	9 1/8	232	26 3/8	670	6 1/2	165	5/8	16	10 1/2	267
HDP16V2	16	406	24	597	24 7/8	632	8 1/2	216	23 3/4	603	38 5/8	981	11 3/4	298	13 3/4	349	4 5/8	117	9 1/8	232	28 7/8	733	6 1/2	165	5/8	16	10 1/2	267

Imperial / Metric Model	P	Q	R	S		T		U		AIR USAGE		WEIGHT	
	THREAD			in	mm	in	mm	in	mm	SCF	I	Lbs	Kg
HDP04V2	M12X1.5	8	5/8-11	7 1/2	191	1	25	3/4	19	0.332	9	80	36
HDP06V2	M12X1.5	8	3/4-10	9 1/2	241	1	25	3/4	19	0.551	16	105	48
HDP08V2	M12X1.5	8	3/4-10	11 3/4	298	1	25	7/8	22	0.698	20	140	64
HDP10V2	M12X1.5	12	3/4-10	14 1/4	362	1	25	7/8	22	1.207	34	185	84
HDP12V2	M12X1.5	12	7/8-9	17	432	1	25	7/8	22	1.417	40	235	107
HDP14V2	M16X2.0	12	7/8-9	18 3/4	476	1 1/8	30	7/8	22	2.837	80	380	172
HDP16V2	M16X2.0	16	1-8	21 1/4	540	1 1/8	30	7/8	22	3.203	91	465	211

*Information subject to change without notice | Above information is Vortex standard dimensional information | Contact us if your application needs a non-standard valve | Available specifications and modifications available at www.vortexvalves.com

